



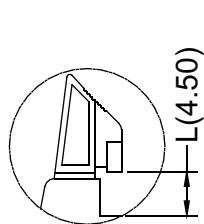
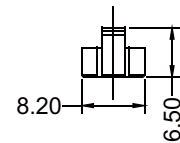
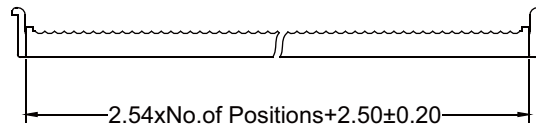
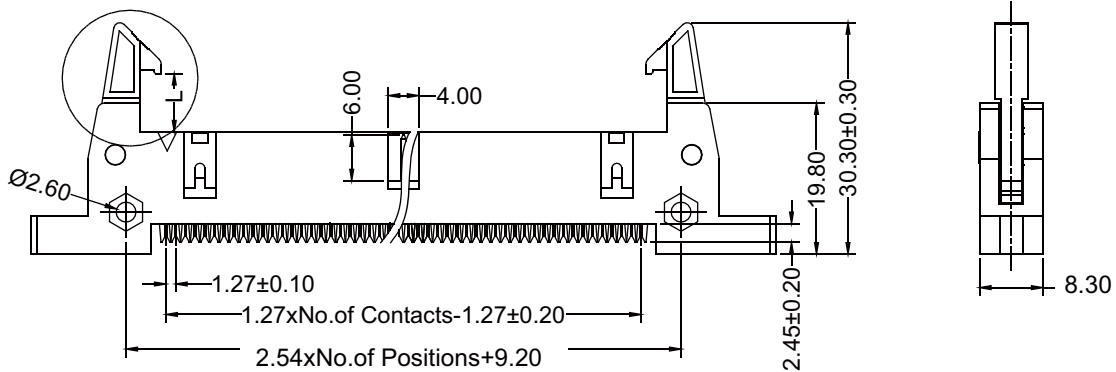
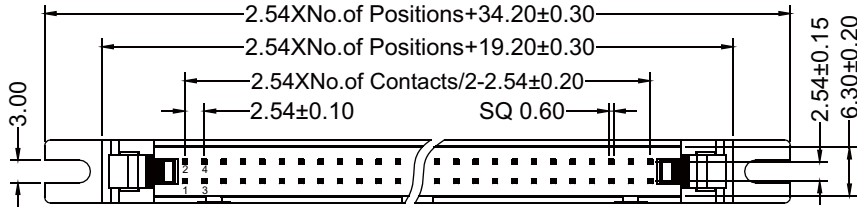
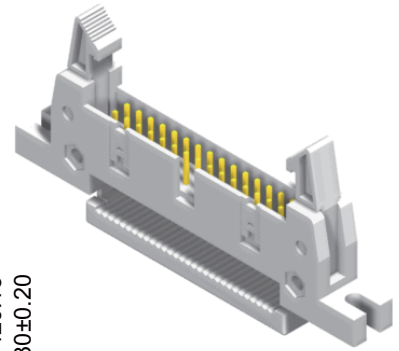
Ejector Header 2.54mm IDC Type

Specifications

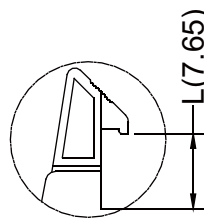
Current Rate:3AMP
 Insulation Resistance:1000MΩ Min.
 Contact Resistance:20mΩ Max.
 Dielectric Voltage:1000V AC for one minute
 Operation Temperature:-40°C to +105°C

Material

Insulator:Polyester,UL 94V-0
 ©Standard:PBT
 Terminal:Copper Alloy
 Plating:Gold Plated

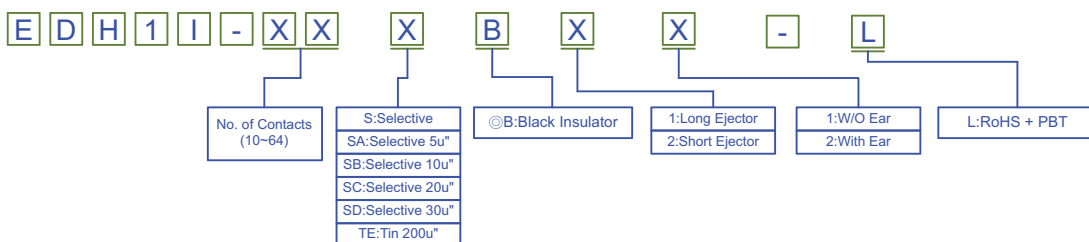


Short Latch



Long Latch

ORDER INFORMATION



©Standard Recommended

Ejector Header 2.54mm



ROHS

CONNECTORS MANUFACTURE